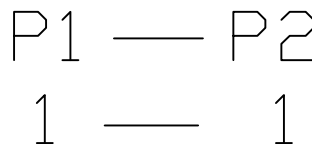
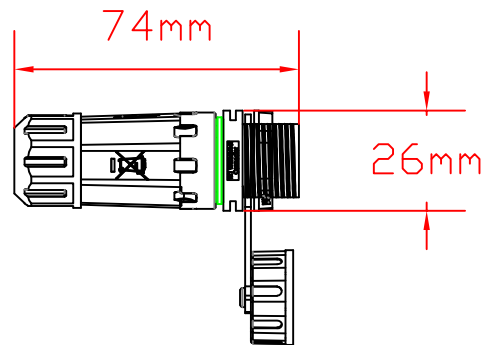
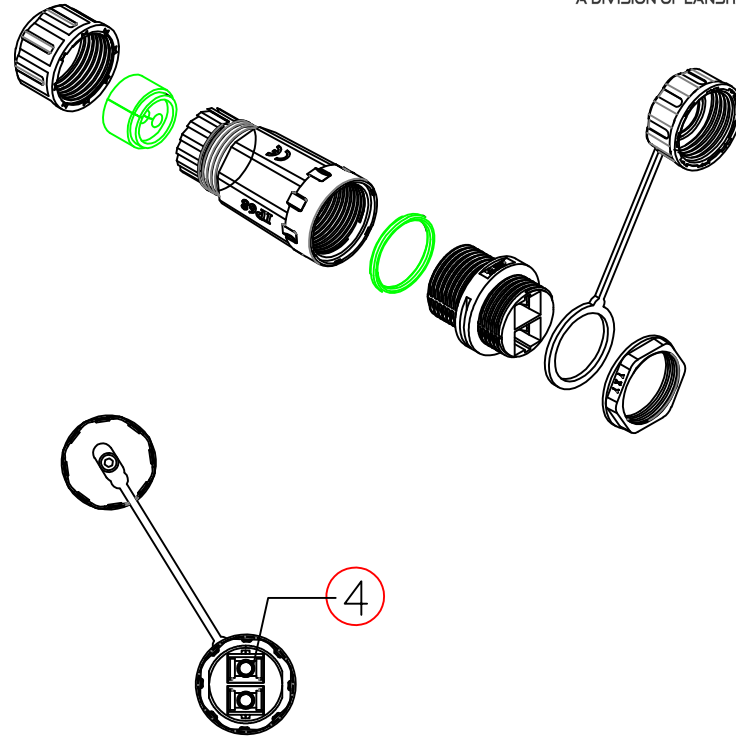
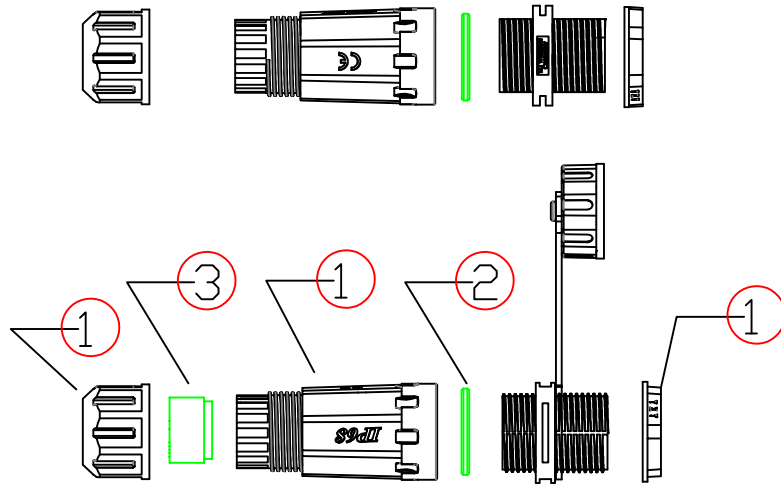


M20
IP68



④	SC APC Duplex Coupler	1pcs
③	O-type silicone ring	1pcs
②	Circular rubber ring	1pcs
①	NyLon PA66	

A	FRIST EDITION	ZP	2017/3/30
REV.	DESCRIPTION	C.N.	DATE
<small>THESE DRAWINGS AND SPECIFICATIONS ARE THE PROPERTY OF WIRETEK COMPUTER LIMITED AND SHALL NOT BE REPRODUCED COPIED OR USED IN ANY MANNER WITHOUT THE PRIOR WRITTEN CONSENT OF WIRETEK COMPUTER LIMITED.</small>		QuickTrex® Premium Singlemode SC APC Outdoor Harsh Environment Waterproof IP68 Rated and High Performance PA66 Thermoplastic Panel-Mount Bulkhead LC, SC, or MTP/MPO Fiber Optic Coupler w/ Dust Cap and Lanyard - Compatible w/ 2 x 1.5 - 4.5 mm Cable OD	
<small>UNLESS OTHERWISE SPECIFIED: DIMENSIONS ARE IN MILLIMETERS ANGULAR TOLERANCE: ±1.0°</small>		P/N: QT-OHE-IP68-BHS-2A-1545-SCA	
DIMENSIONS	TOLERANCE	CHKD.	T.D.
0.00 TO 30.00mm	±0.10mm	CONF.	J.P.
30.01 TO 80.00mm	±0.13mm	DR.	T.D.
80.01 TO 150.00mm	±0.15mm	APPD.	A. D.
150.01mm	±0.20mm	PART NO.	QT-OHE-IP68-BHS-2A-1545-SCA-V1
MATERIAL	MATERIAL		
FINISH	FINISH		
SCALE	SHEET	UNIT	SIZE
	1 / 1	MM	A4
		REV.	A